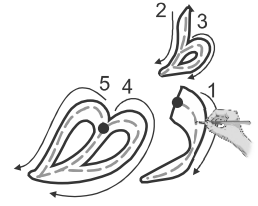
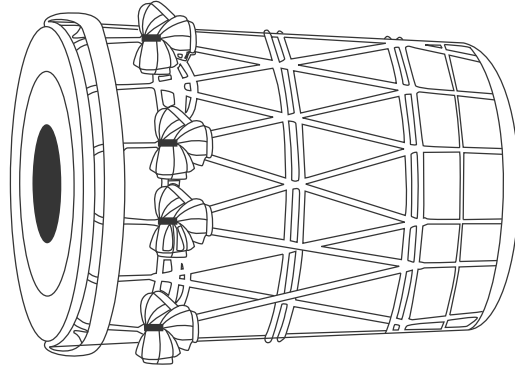


حرف ”ڈھ“ پر پنسل پھیریں اور تصویر میں رنگ بھریں۔

ڈھول  
ڈھ-ول



Handwriting practice section for the Urdu letter 'Dh' (ڈھ). It consists of seven rows of dashed lines on a four-line grid. The first row contains six dashed 'Dh' characters followed by a solid 'Dh' character. The second row contains seven dashed 'Dh' characters. The third row contains six dashed 'Dh' characters with a dot above each. The fourth row contains six dashed 'Dh' characters with a dot above each. The fifth row contains six dashed 'Dh' characters with a dot above each. The sixth row contains six dashed 'Dh' characters with a dot above each. The seventh row contains six dashed 'Dh' characters with a dot above each.

ڈھا ڈھا ڈھو ڈھی ڈھی ڈھے ڈھے

ڈھا ڈھا ڈھو ڈھی ڈھی ڈھے ڈھے

ڈھا ڈھا ڈھو ڈھی ڈھی ڈھے ڈھے

ڈھا ڈھا ڈھو ڈھی ڈھی ڈھے ڈھے

ڈھا ڈھا ڈھو ڈھی ڈھی ڈھے ڈھے

ڈھا ڈھا ڈھو ڈھی ڈھی ڈھے ڈھے