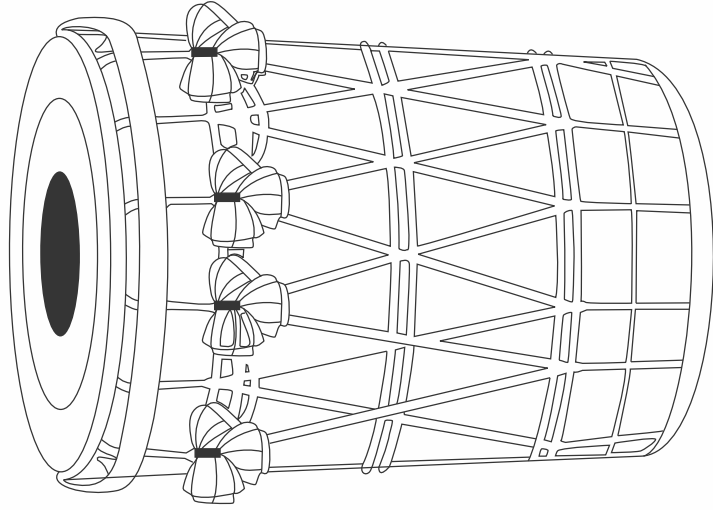
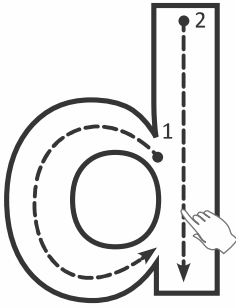
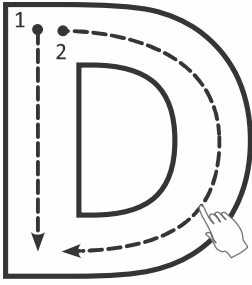


Trace the letter "D d" with finger and colour the picture.



**DRUM**

**drum**

Trace the letter "D d".

Tracing practice for the letter 'D'. The first row starts with a solid 'D' followed by six dashed 'D's on a set of three horizontal lines. The following five rows each contain seven dashed 'D's on the same set of lines for tracing.

D D D D D D D

D D D D D D D

D . D . D . D .

d | d d d d d d d

d d d d d d d

d d d d d d d

d d d d d d d

d d d d d d d

d d d d d d d

d d d d d d d

d . d . d . d .

D D D D D D D

.

.

d | d d d d d d

.

.

.

.

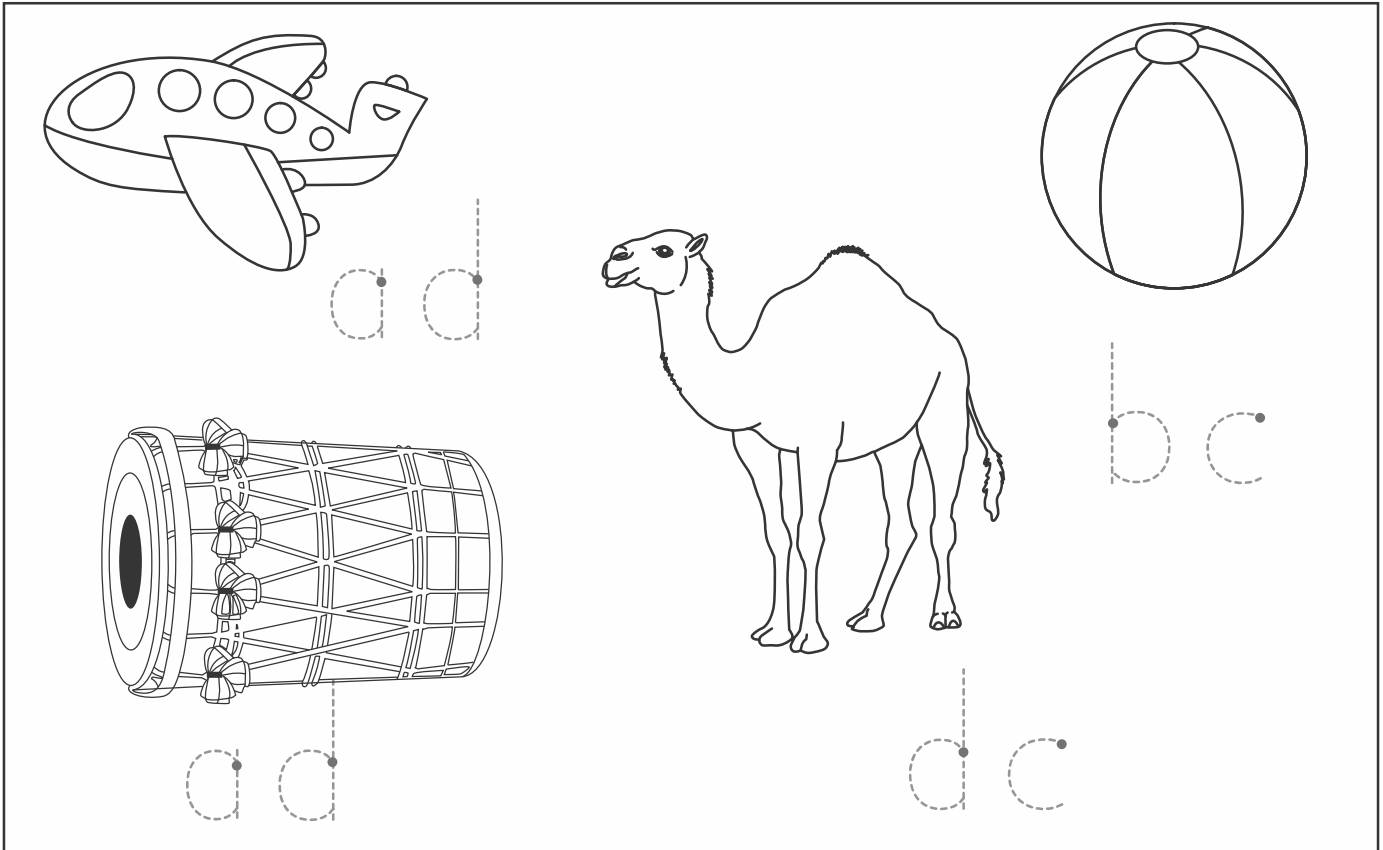
.

.

.

# ACTIVITY

Trace the letter that stands for the beginning sound.



Colour the pictures that begins with d sound.

